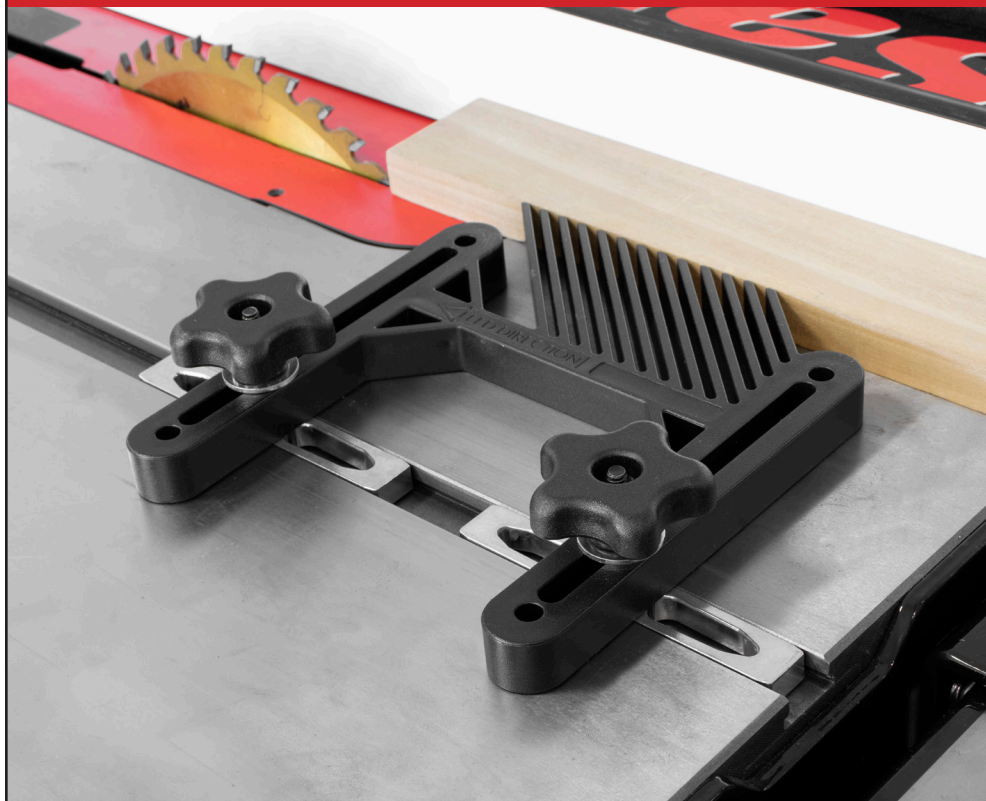


DELUXE

Featherboard Instructions

11550

Version 1.0



Safety First



Disconnect machine from power source before making any adjustments.



Always wear proper ear protection when working with machinery.



Use caution when handling sharp objects (saw blades, router bits, drill bits and so on). Use protective gloves whenever possible.



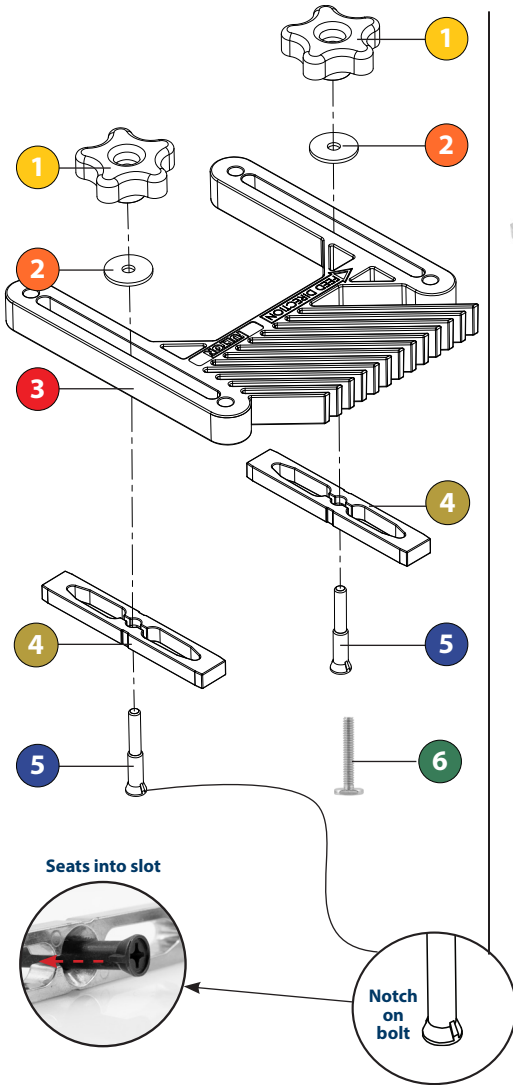
Always wear proper eye protection when working with machinery and tools.



Always wear proper respiratory protection when working near airborne dust particles.

Please read and fully understand any and all safety materials that came with your power tools or machinery before operation. Always follow all safety guidelines set in place by the power tool or machine manufacturer.

Featherboard Assembly



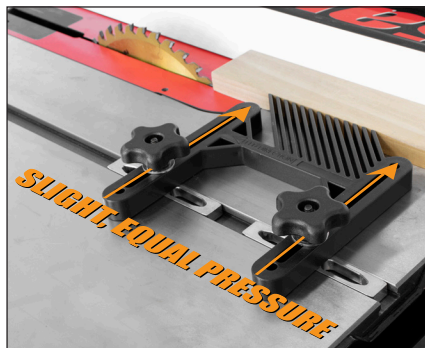
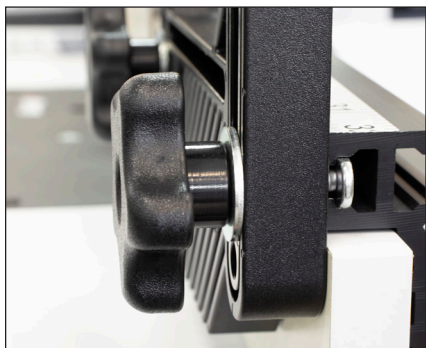
Assemble the featherboard using the exploded drawing above as a guide. When assembling the featherboard, make sure the bolt notch (on both the small or short bolts) fits into the slots on the expanding miter bars. If the notches are not seated correctly the expanding miter bars will not work properly.

No.	Part Description	QTY
1	Star through knob	2
2	Washer	2
3	Featherboard	1
4	Expanding Miter Bar	2
5	1/4"x20 Short Bolt	2
6	1/4"x20 T-Bolt	2

Guards have been removed from images for clarity purposes

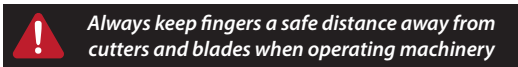
Featherboard in Miter Track

With the expanding miter bars installed onto a featherboard, place the featherboard expanding miter bars into a standard 3/4" x 3/8" miter slot. Place slight, equal pressure on the featherboard toward the stock and fence and secure the knobs. The featherboard should not lift out or slide once it is secure. If it does, you must adjust the notch on the bolts so that they seat inside the slots properly on the expanding miter bar.



Featherboard in T-slot/Track

With the the supplied T-Bolts (8) installed on to a single featherboard, slide the t-bolts into your track. Position the featherboard to your desired location, Place slight, equal pressure on the featherboard toward the stock and fence and secure the knobs.

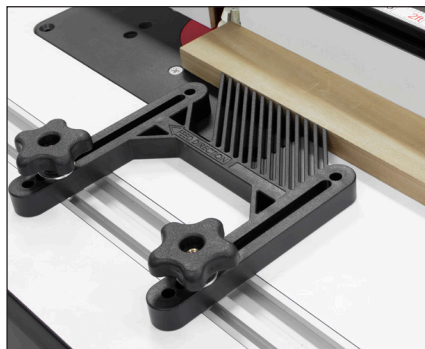


Always keep fingers a safe distance away from cutters and blades when operating machinery

Guards have been removed from images for clarity purposes

Can be Used in Standard Mini Track

With the the supplied T-Bolts the featherboard can be attached to a standard mini style track. You can find these styles of track on many router and some table saw fences and you will also find them embedded on many router table tops. This provides you with the flexibility to use the featherboard on many different workshop machines.



One in T-Slot, One in Miter Track

This type of setup works perfectly on router tables. When you need to have better control of your stock, especially narrow stock, this is the way to go. Perfect for working and feeding molding and frame edges through the cutter. To work this type of setup, you will likely have one featherboard in the miter slot with the expanding miter bars and one featherboard attached to your fence with the t-bolts. Second featherboard sold separately.

Feed Direction



When mounting the featherboards, always make sure that the "FEED DIRECTION" is pointing toward the cutter. This will make sure the fingers of the featherboard will work properly

Proper Placement



Always make sure that the last finger on the featherboard is at least 2" in FRONT of the blade or cutter on the in-feed side. This ensures that the stock will not "pinch" against the blade or cutter when feeding your stock through.

Table Top Size



Some table tops may not be large enough to handle this featherboard system. Featherboard must always be sitting flat on the table with no overhang. If there is overhang, DO NOT USE the featherboard on that table top.



Never use a featherboard directly beside or behind a table saw blade

Guards have been removed from images for clarity purposes

Where can you use your new featherboard?

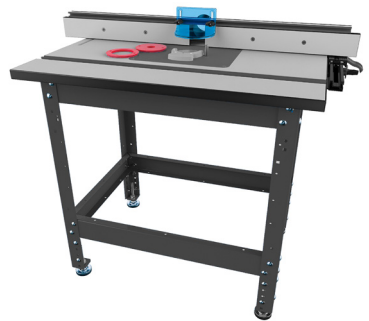


Table Saws

For larger or small projects, this featherboard system is perfect for table saw use. When you have to cut narrow stock use a single featherboard secured into the miter slot for better control of your stock.

Router Tables

Outside of the table saw, the router table offers many opportunities to use a featherboard. From working with narrow stock, to working edges on taller pieces, this featherboard system has you covered. You can use the featherboard individually, two at a time (one on the table one on the fence) or even stacked for taller stock feed throughs.